



EFL252

Electric Counterbalance
Forklift Truck 2.5T **LI-ION**
TECHNOLOGY

- Compact size
- High strength components
- Lithium-ion technology
- Telematics
- Low TCO

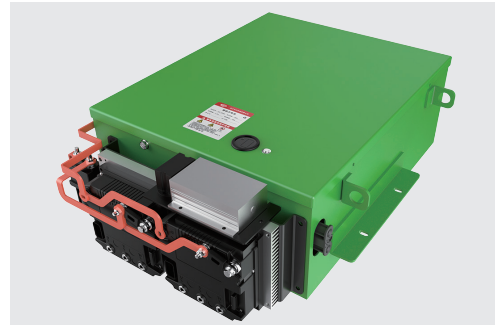
EP EQUIPMENT CO.,LTD
www.ep-ep.com



FEATURE

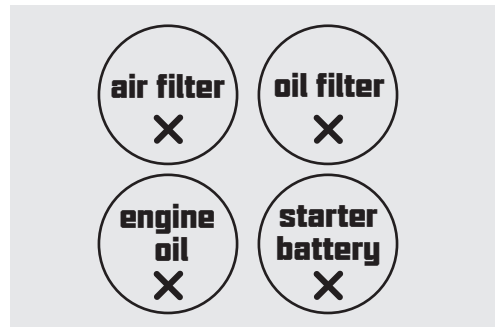
■ Lithium-ion technology

EFL252 adapts LFP Li-ion battery that prevents the battery from self-ignition and ensures safety operation. It supports opportunity charging so it can be charged at preferable time during the day without disrupting working schedules.



■ Low TCO

Comparing to a diesel forklift truck, EFL252 saves 30%-50% of energy cost with li-ion technology. And there is no maintenance fee with no air filter, oil filter, engine oil or starter battery installed on the truck.



■ Compact size

The overall length of EFL252 is 3573 mm that is 5% more compacted in size than a regular IC forklift to be used in narrow aisle.



■ High strength components

EFL252 features its high strength mast and tapered roller steering axle for better stability and endurance. The truck is able to be operated outdoors, even on uneven road to perform heavy duty tasks.



steering axle

mast

■ Telematics

EFL252 offers EP's latest Telematics. It provides the following features to facilitate your fleet management:

- Truck location in real-time
- Reports of truck usages and diagnosis
- Li-ion battery condition analytics
- Updates on card access registration

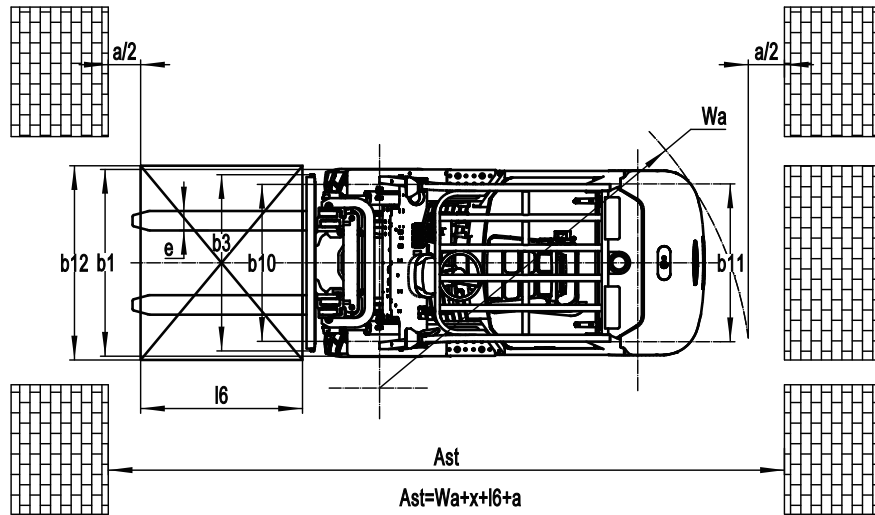
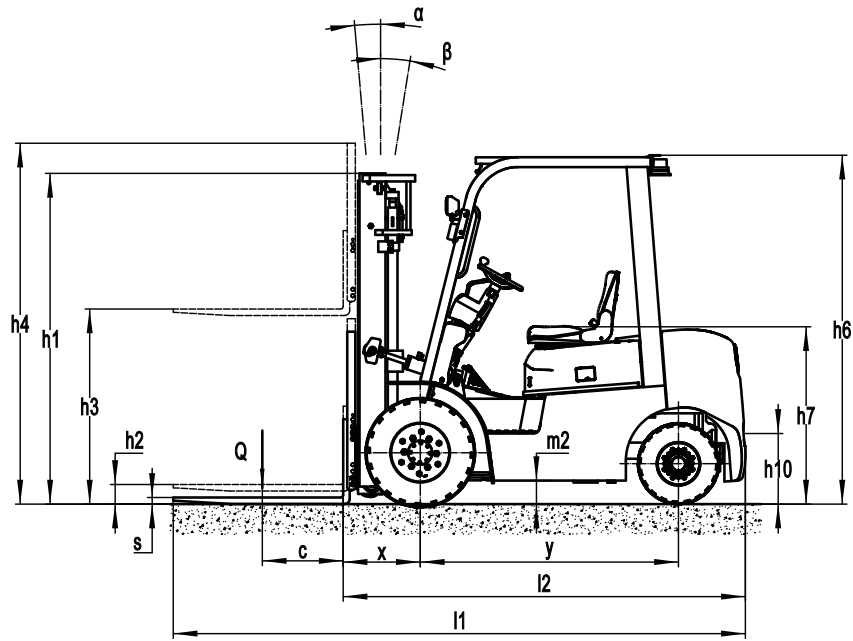


Electric Counterbalance Forklift Truck 2.5T

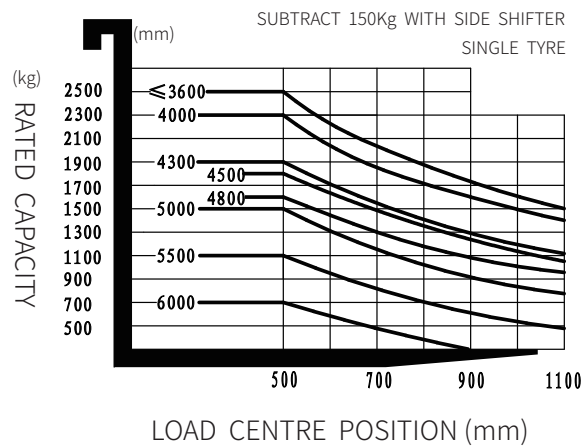
EFL252

Distinguishing mark				
1.1	Manufacturer			EP
1.2	Model designation			EFL252
1.3	Drive unit			Electrics
1.4	Operator type			seated
1.5	rated capacity	Q	kg	2500
1.6	Load center distance	c	mm	500
1.8	Load distance, centre of drive axle to fork	x	mm	495
1.9	Wheelbase	y	mm	1595
Weight				
2.1	Service weight (include battery)		kg	3830
2.2	Axle loading, laden driving wheels /steering wheels		kg	5530/800
2.3	Axle loading, unladen driving wheels /steering wheels		kg	1480/2350
Types,Chassis				
3.1	Tyre type,driving wheels /steering wheels			solid rubber
3.2	Tyre size, driving wheels			7.00-12
3.3	Tyre size, steering wheels			6.00-9
3.5	Wheels, number driving/steering (x=drive wheels)		mm	2x/ 2
3.6	Tread, Driving wheels	b10	mm	970
3.7	Tread, Steering wheels	b11	mm	975
Dimensions				
4.1	Tilt of mast/fork carriage forward/backward	α/ β (°)		6/ 10
4.2	Height, mast lowered	h1	mm	2060
4.3	Free lift (load backrest)	h2	mm	140
4.4	Lift height	h3	mm	3000
4.5	Height, mast extended	h4	mm	4050
4.7	Height of overhead guard (cabin)	h6	mm	2160
4.8	Seat height	h7	mm	1095
4.12	Tow center of pin height	h10	mm	435
4.19	Overall length	l1	mm	3573
4.20	Length to face of forks	l2	mm	2503
4.21	Overall width	b1/ b2	mm	1154
4.22	Fork dimensions	s/ e/ l	mm	40×125×1070
4.23	Fork carriage class/type A, B			2A
4.24	Fork carriage width	b3	mm	1090
4.31	Ground clearance, laden, below mast	m1	mm	100
4.32	The minimum ground clearance of frame	m2	mm	150
4.34.1	Aisle width for pallets 1000 × 1200 crossways	Ast	mm	3985
4.34.2	Aisle width for pallets 800 × 1200 lengthways	Ast	mm	4195
4.35	Turning radius	Wa	mm	2290
Performance data				
5.1	Travel speed, laden/ unladen		km/ h	11/12
5.2	Lifting speed, laden/ unladen		m/ s	0.28/0.37
5.3	Lowering speed, laden/ unladen		m/ s	0.45/0.5
5.8	Max. gradeability, laden/unladen		%	15/15
5.10	Service brake type			Hydraulic / Mechanical
	park brake type			Mechanical
Electric-engine				
6.1	Drive motor rating S2 60 min		kW	10
6.2	Lift motor rating at S3 15%		kW	12
6.3	The maximum allowed size battery		mm	731X 608X 326
6.4	Battery voltage/nominal capacity K5		V/ Ah	80V/205AH
Battery weight				
8.1	Type of drive unit			AC
10.5	Steering type			Hydraulic steering
10.7	Sound pressure level at the driver's ear		dB (A)	< 74

If there are improvements of technical parameters or configurations, no further notice will be given.
The diagram shown may contain non-standard configurations.



RATED CAPACITIES



Option

Optional items		EFL252
1	Fork length	●1070○customization consultation
2	Attachments	●NA○integrated side shifter○external side shifter ○customization consultation
3	Overhead guard	●normal overhead guard ○customization consultation
4	Front wheel configuration	●single○dual
5	Tyre type	●Solid rubber tire ○Environmental solid tire
6	Front light	●Front light○LED front light
7	Auxiliary light	●NA○Back light
8	Safety components	●NA○Fire extinguisher○blue light
9	Seat	●normal seat○suspension seat
10	Cockpit	●NA○Cockpit○With fan heater○With front windshield wiper○With rear windshield wiper
11	Rearview	●single○dual
12	Air fan	●NA○single
13	Charging	●80V65A○80V130A○80V200A
14	Li-Ion battery	●80V205Ah○80V280Ah○80V410Ah

Note: ● standard ○ option — NA

Mast Option

Mast types	Lift height (h3)	Height, Mast			Height, Free lift(h2)	
		Height, mast lowered(h1)	Height, mast extended(h4)		No shelving	With shelving
			No shelving	With shelving		
	mm	mm	mm	mm	mm	mm
2-Standard Mast	3000	2060	3565	4025	140	140
	3300	2145	3865	4325	140	140
	3500	2245	4065	4525	140	140
	3600	2295	4165	4625	140	140
	4000	2545	4565	5025	140	140
	4500	2795	5065	5525	140	140
2-Free Mast	3000	2035	3565	4025	1470	1000
	3300	2185	3865	4325	1620	1150
	3600	2335	4165	4625	1770	1300
3-Free Mast	4300	2035	4865	5325	1470	1000
	4500	2115	5065	5525	1550	1080
	4800	2220	5365	5825	1655	1185
	5000	2305	5565	6025	1740	1270
	5500	2555	6065	6525	1990	1520
	6000	2805	6565	7025	2240	1770